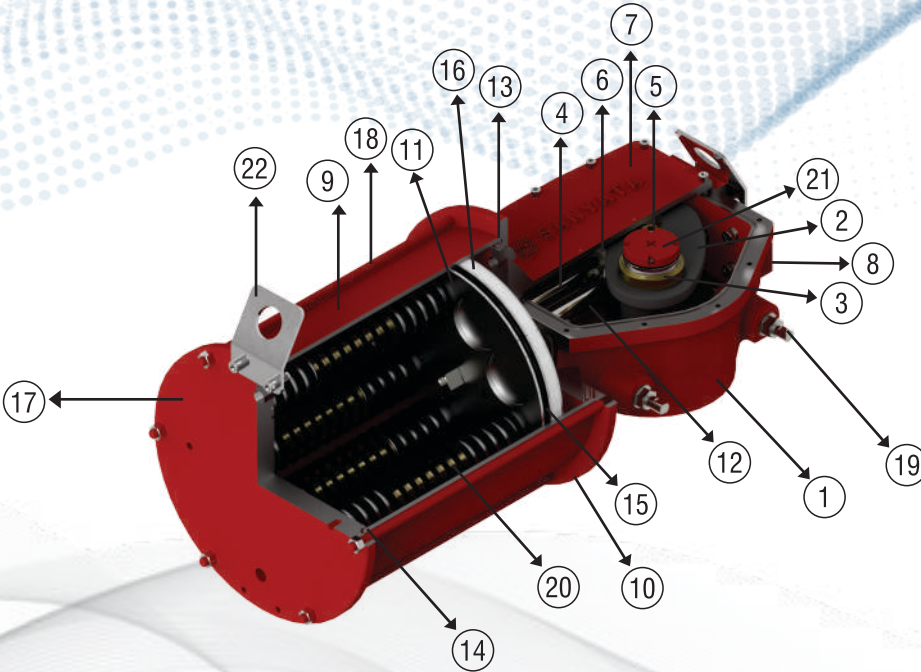
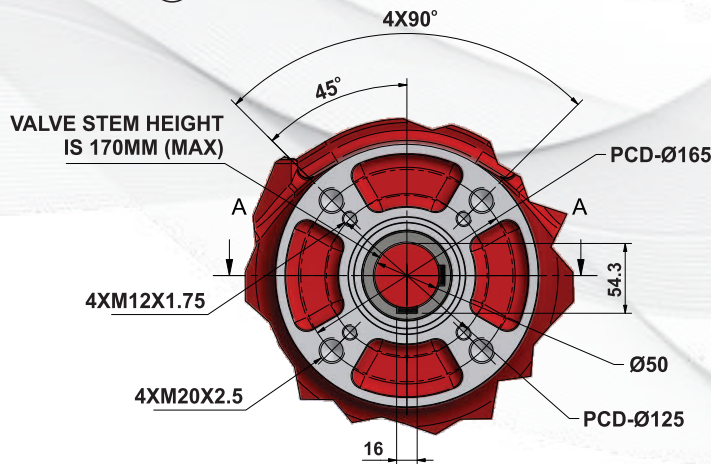




Introducing our range of Intermediate Symmetric / Canted Scotch Yoke actuators - models SY/SYC220, 230 and 240. These actuators feature an innovative and cost-effective internal spring mechanism that not only allows for a more compact design but also enhances operational safety and simplifies servicing.



ITEM	DESCRIPTION	MATERIAL
1	Center Body	Ductile Iron
2	Yoke	Ductile Iron
3	Yoke Bush	Bronze
4	Guide Rod	Steel
5	Sliding Block	Bronze
6	Guide Block	Steel
7	Top Cover	Ductile Iron
8	Cover Plate	Steel
9	Pneumatic Cylinder	Steel
10	Head Flange	Steel
11	Piston	Steel
12	Piston Rod	Steel
13	O-Ring	Rubber
14	O-Ring	Rubber
15	O-Ring	Rubber
16	Wear Ring	PTFE
17	Tail Flange	Steel
18	Tie Rod	Steel
19	Stop Bolt	Steel
20	Spring Cartridge	Steel
21	Cover Plate	Steel
22	Lifting Pad	Steel



VIEW X
VALVE INTERFACE DETAILS AS PER ISO 5211

Model	Position	Symmetric Yoke DA Pneumatic Torque(Nm)									Weight
		3 Bar	3.5 Bar	4 Bar	4.5 Bar	5 Bar	5.5 Bar	6 Bar	6.5 Bar	7 Bar	
SY220	Start	1354	1579	1805	2031	2256	2482	2707	2933	3159	105
	Mid	785	916	1047	1177	1308	1439	1570	1701	1831	
	End	1421	1658	1895	2132	2369	2606	2843	3080	3317	
SY230	Start	2041	2382	2722	3062	3402	3742	4083	4423	4763	125
	Mid	1184	1381	1578	1775	1973	2170	2367	2565	2762	
	End	2143	2501	2858	3215	3572	3930	4287	4644	5001	
SY240	Start	2431	2836	3241	3646	4051	4456	4861	5266	5672	139
	Mid	1409	1644	1879	2114	2349	2584	2819	3054	3289	
	End	2552	2978	3403	3828	4254	4679	5104	5530	5955	
SY241	Start	3210	3745	4281	4816	5351	5886	6421	6956	7491	160
	Mid	1861	2172	2482	2792	3102	3413	3723	4033	4343	
	End	3371	3933	4495	5056	5618	6180	6742	7304	7866	

Model	Position	Canted Yoke DA Pneumatic Torque(Nm)									Weight
		3 Bar	3.5 Bar	4 Bar	4.5 Bar	5 Bar	5.5 Bar	6 Bar	6.5 Bar	7 Bar	
SYC220	Start	1914	2233	2553	2872	3191	3510	3829	4148	4467	105
	Mid	785	916	1047	1177	1308	1439	1570	1701	1831	
	End	1161	1354	1547	1741	1934	2128	2321	2515	2708	
SYC230	Start	2887	3368	3849	4330	4811	5293	5774	6255	6736	125
	Mid	1184	1381	1578	1775	1973	2170	2367	2565	2762	
	End	1750	2042	2333	2625	2917	3208	3500	3792	4084	
SYC240	Start	3438	4010	4583	5156	5729	6302	6875	7448	8021	139
	Mid	1409	1644	1879	2114	2349	2584	2819	3054	3289	
	End	2084	2431	2779	3126	3473	3820	4168	4515	4862	
SYC241	Start	4540	5297	6054	6810	7567	8324	9080	9837	10594	160
	Mid	1861	2172	2482	2792	3102	3413	3723	4033	4343	
	End	2752	3211	3670	4129	4587	5046	5505	5963	6422	



SAFEAir Series Intermediate Pneumatic Actuators - Scotch Yoke Symmetric and Canted



Model	Operation	Position	Symmetric Yoke Single Acting Torque (Nm)									Weight
			3 bar	3.5 bar	4 bar	4.5 bar	5 bar	5.5 bar	6 bar	6.5 bar	7 bar	
SY220	Air	Start	922	1148	1086	1311	1537	1762	1988	2214	2439	115
		Mid	418	549	436	567	697	828	959	1090	1221	
		End	547	784	438	675	912	1149	1386	1623	1860	
	Spring	Start	832	832	1387	1387	1387	1387	1387	1387	1387	
		Mid	367	367	611	611	611	611	611	611	611	
		End	453	453	755	755	755	755	755	755	755	
SY230	Air	Start	1322	1662	1859	2199	2395	2735	2932	3272	3612	143
		Mid	573	770	845	1043	1118	1315	1390	1587	1785	
		End	687	1044	1110	1467	1533	1890	1956	2313	2670	
	Spring	Start	1387	1387	1665	1665	1942	1942	2220	2220	2220	
		Mid	611	611	733	733	855	855	977	977	977	
		End	755	755	906	906	1058	1058	1209	1209	1209	
SY240	Air	Start	1711	2116	2234	2639	2900	3305	3567	3972	4377	156
		Mid	799	1034	1024	1259	1372	1607	1719	1954	2189	
		End	1095	1521	1364	1789	1923	2348	2482	2908	3333	
	Spring	Start	1387	1387	1942	1942	2220	2220	2497	2497	2497	
		Mid	611	611	855	855	977	977	1099	1099	1099	
		End	755	755	1058	1058	1209	1209	1360	1360	1360	
SY241	Air	Start	2491	3026	3273	3809	4200	4735	5126	5661	6196	178
		Mid	1251	1561	1627	1937	2125	2436	2624	2934	3244	
		End	1914	2476	2455	3017	3287	3849	4120	4682	5243	
	Spring	Start	1387	1387	1942	1942	2220	2220	2497	2497	2497	
		Mid	611	611	855	855	977	977	1099	1099	1099	
		End	755	755	1058	1058	1209	1209	1360	1360	1360	

Model	Operation	Position	Canted Yoke Single Acting Torque (Nm)-Spring to Close									Weight
			3 bar	3.5 bar	4 bar	4.5 bar	5 bar	5.5 bar	6 bar	6.5 bar	7 bar	
SYC220	Air	Start	1304	1623	1535	1854	2173	2492	2811	3131	3450	115
		Mid	372	503	358	489	620	751	882	1012	1143	
		End	447	640	358	551	745	938	1132	1325	1519	
	Spring	Start	680	680	1133	1133	1133	1133	1133	1133	1133	
		Mid	413	413	688	688	688	688	688	688	688	
		End	641	641	1068	1068	1068	1068	1068	1068	1068	
SYC230	Air	Start	1870	2351	2628	3110	3387	3868	4146	4627	5108	143
		Mid	495	693	752	950	1009	1206	1266	1463	1661	
		End	561	852	906	1198	1252	1543	1597	1889	2180	
	Spring	Start	1133	1133	1359	1359	1586	1586	1813	1813	1813	
		Mid	688	688	826	826	964	964	1101	1101	1101	
		End	1068	1068	1282	1282	1496	1496	1709	1709	1709	
SYC240	Air	Start	2420	2993	3159	3732	4101	4674	5044	5617	6190	156
		Mid	721	956	916	1151	1248	1483	1580	1815	2050	
		End	894	1242	1113	1461	1570	1917	2027	2374	2721	
	Spring	Start	1133	1133	1586	1586	1813	1813	2039	2039	2039	
		Mid	688	688	964	964	1101	1101	1239	1239	1239	
		End	1068	1068	1496	1496	1709	1709	1923	1923	1923	
SYC241	Air	Start	3523	4280	4629	5386	5939	6696	7249	8006	8763	178
		Mid	1173	1484	1518	1829	2001	2312	2484	2794	3105	
		End	1563	2022	2005	2463	2684	3143	3364	3822	4281	
	Spring	Start	1133	1133	1586	1586	1813	1813	2039	2039	2039	
		Mid	688	688	964	964	1101	1101	1239	1239	1239	
		End	1068	1068	1496	1496	1709	1709	1923	1923	1923	

