

SAFEAir Series

Large Linear Pneumatic Piston Actuators

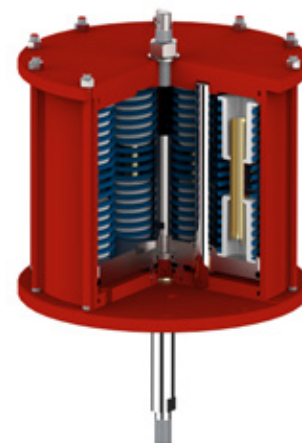
For On/Off and Control Valves





» SAFEAir Series Linear Pneumatic Piston Actuators

Our robust, high quality linear pneumatic piston (LPP) actuators (double acting and spring return) are suitable for on/off and control valve applications in demanding environments. The innovative design uses Sanyata's proven piston and seal design, compact carbon steel honed cylinders for trouble free operation and long life. The LPP series can be matched to the stroke requirements of most valves and are available with yoke brackets for easy mounting. The Sanyata SAFEBox series limit switch box can be integrated easily for open and close remote indication. Actuators can also be offered with integral manual override.



» Features

- Robust Carbon Steel Housings and customized materials for demanding applications
- Hydraulic or Gearbox Manual override
- Yoke bracket suitable for the valve stroke
- Provision for Limit Switch Box / Positioner Mounting
- Visual position indicator to show the valve open/close position
- Fully enclosed alloy steel spring cartridges which enables safe disassembly of the actuator
- Spring up and Spring down configurations are available
- Capable of short stroke for control valves and long stroke for knife gate valves
- Complies with EN60529 for IP68.



» Technical Specification

Working Pressure

Max operating pressure – 10 bar(145psig)

Working Environment

Standard: -30°C to 70°C (-58°F to 158°F) with NBR Seals

High Temperature: -15°C to 160°C (5°F to 320°F) with Viton Seals

Extended Temperature - 60°C to 200°C (-76°F to 392°F) with Silicone Seals

Food safe version also available

Endurance Testing

Designed and tested for life cycles up to 500,000 cycles.

Valve Interface

Threaded Shaft and Mounting Flange as per ISO 5210 suitable for Yoke mounting.

Air Supply Ports

EN ISO228 G1/2", G1", G1.1/2" based on the actuator size.

Lubrication

Gearbox manual override or Hydraulic Manual override.

Manual Override

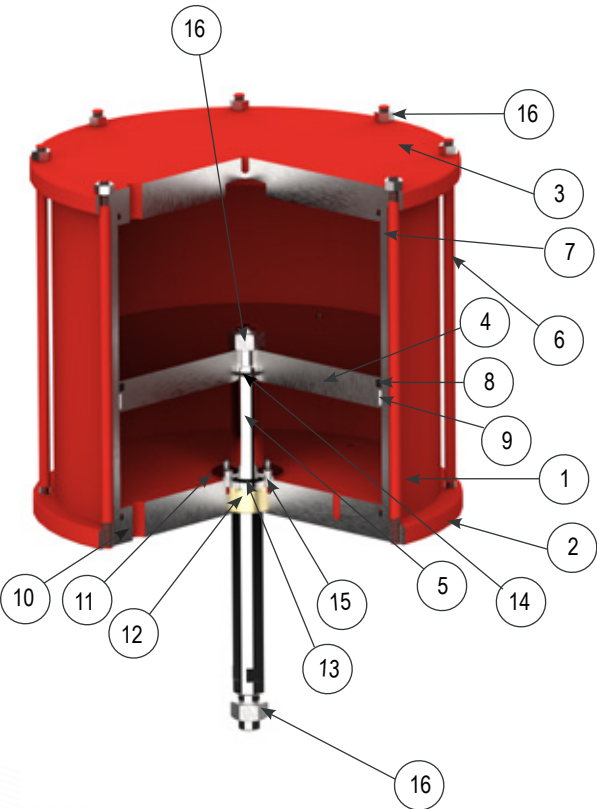
Integral handwheel or gearbox manual override

Approvals and Industry Standards:

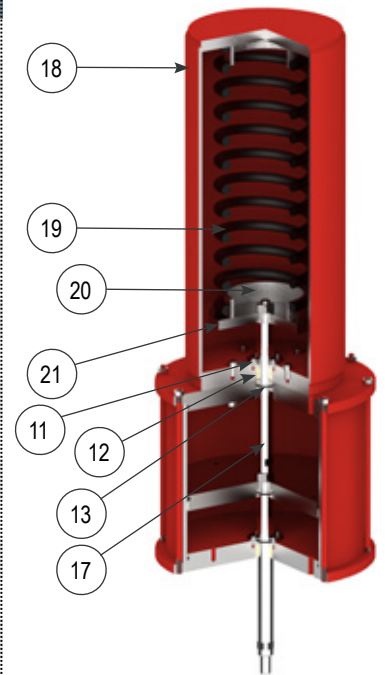
Management System in Accordance with ISO 9001:2015

Valve Flange: ISO 5210/DIN3338





Item	Description	Material
1	Cylinder	Steel
2	Head Flange	Steel
3	Tail Flange	Steel
4	Piston	Steel
5	Piston rod	Steel
6	Tie Rod	Steel
7	O-Ring	Rubber
8	O-Ring	Rubber
9	Wear Ring	PTFE
10	O-Ring	Rubber
11	Retainer Plate	Stainless Steel
12	Bearing Bush	Bronze
13	O-Ring	Rubber
14	O-Ring	Rubber
15	Screw	Stainless Steel
16	Hexagon Nut	Stainless Steel
17	Spring Shaft	Steel
18	Spring Can	Steel
19	Spring	Steel
20	Guide Tube	Steel
21	Spring Plate	Steel



» Actuator Performance Data

Model	Actuator Performance Data - Metric								Rod Thread	Mounting Flange
	Double Acting Thrust (N)									
	3 Bar	4 Bar	5 Bar	6 Bar	7 Bar	8 Bar	9 Bar	10 Bar		
LPP-250	13738	18644	23550	28456	33363	38269	43175	48081	M24X2	F12
LPP-280	17232	23387	29541	35696	41850	48004	54159	60313	M24X2	F12
LPP-335	24667	33477	42286	51096	59906	68715	77525	86335	M24X2	F14
LPP-385	32580	44216	55851	67487	79123	90758	102394	114029	M24X2	F14
LPP-435	41592	56446	71300	86154	101008	115862	130717	145571	M30X2	F16
LPP-485	51702	70168	88633	107098	125563	144028	162493	180959	M30X2	F25
LPP-535	62912	85381	107850	130318	152787	175256	197724	220193	M30X2	F30
LPP-585	75221	102086	128950	155815	182680	209544	236409	263274	M33X2	F30
LPP-635	88629	120282	151935	183588	215242	246895	278548	310201	M36X2	F30
LPP-685	103136	139970	176804	213638	250472	287306	324141	360975	M36X2	F35
LPP-735	118741	161149	203557	245964	288372	330780	373187	415595	M52X2	F35
LPP-785	135446	183820	232194	280567	328941	377315	425688	474062	M52X2	F35

- For spring Return, thrust (N) configuration is customizable. Please Contact Sanyata for details
- Stroke Range available from 50 mm to 1.2 metre. Can be suited to the valve stroke
- For dimensional details, contact Sanyata








» Naming Scheme

	LPP	250	50	FC	4	N	C	8	10	S	2	X
Product Series LPP												
Bore – 250,280,335,385,435,485, 535, 585,635,685,735,785												
Stroke – 50,100,150.....,1200												
Action DA: Double Acting FC: Fail Close FO: Fail Open												
Spring Set X, 1, 2, 3, 4, 5, 6 (Use X for Double Acting)												
Manual Override Y: Yes N: No												
Material of Construction C: Carbon Steel, S: Stainless Steel												
Valve Flange Interface 6: F12 10: F30 7: F14 11: F35 8: F16 9: F25												
Valve Stem Interface 10: Threaded Piston Rod with Lock Nut 20: With Flat Bracket 30: With Split Coupling												
Environment S: Standard Temp E: Extended Temp H: High Temp F: Food Grade												
Coating 2: Epoxy coated (200+ Hours Salt Spray Test) 3: Duraflon PTFE coating 4: FDA Compliant Epoxy Polyester coating												
Specials X-None												

Contact

-  Sanyata Actuation and Fluid Engineering Pvt. Ltd.,
No: 262/1-A, Mettukuppam Road, Via Alapakkam Road,
Janaki Nagar, Maduravoyal, Chennai-600095
-  Tel: +91 44 29585783 | Mobile: +91 9884066783
-  Email: sales@sanyata.in | Web: www.sanyata.group

